

PERFORMANCE

Range 0 - 1000 ppm
 Sensitivity 30 - 110 nA/ppm PH3
 Zero in air at 20 °C <±14 ppm PH3
 Resolution 1 ppm PH3
 Linearity linear across range
 Response time, t90 <60 s
 Long-term output drift <2% signal/month
 Warranty 2 years

OPERATING CONDITIONS

Temperature range -20 to +50 °C
 Operating humidity 15 - 90% RH (non-condensing)
 Pressure range 90 - 110 kPa (nominal)
 Operating circuit see Electrochemical Toxic Sensor
 Applied potential 0 V
 Storage life 6 months in original packaging (0 - 25 °C)

PHYSICAL CHARACTERISTICS

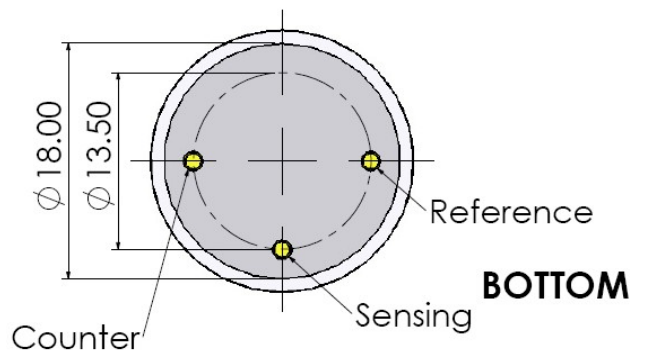
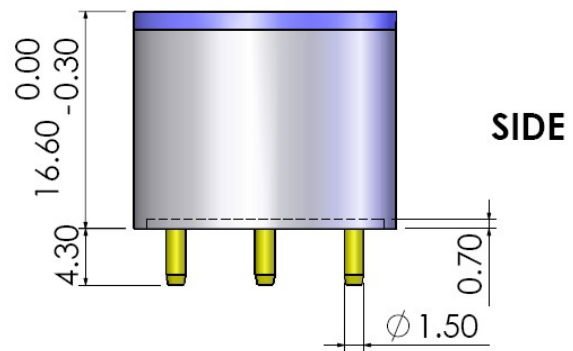
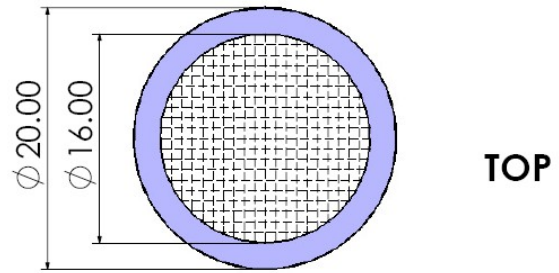
Label colour silver
 Weight 5 g approx.
 Dimensions see outline

This device is designed to be RoHS compliant.

CROSS-SENSITIVITY DATA

GAS	Concentration (ppm)	Sensor Response (As ppm PH3)
Hydrogen Sulfide	15	4
Sulfur Dioxide	5	5
Carbon Monoxide	1000	0
Ammonia	50	0
Hydrogen	1000	0
Ethene	100	0

OUTLINE

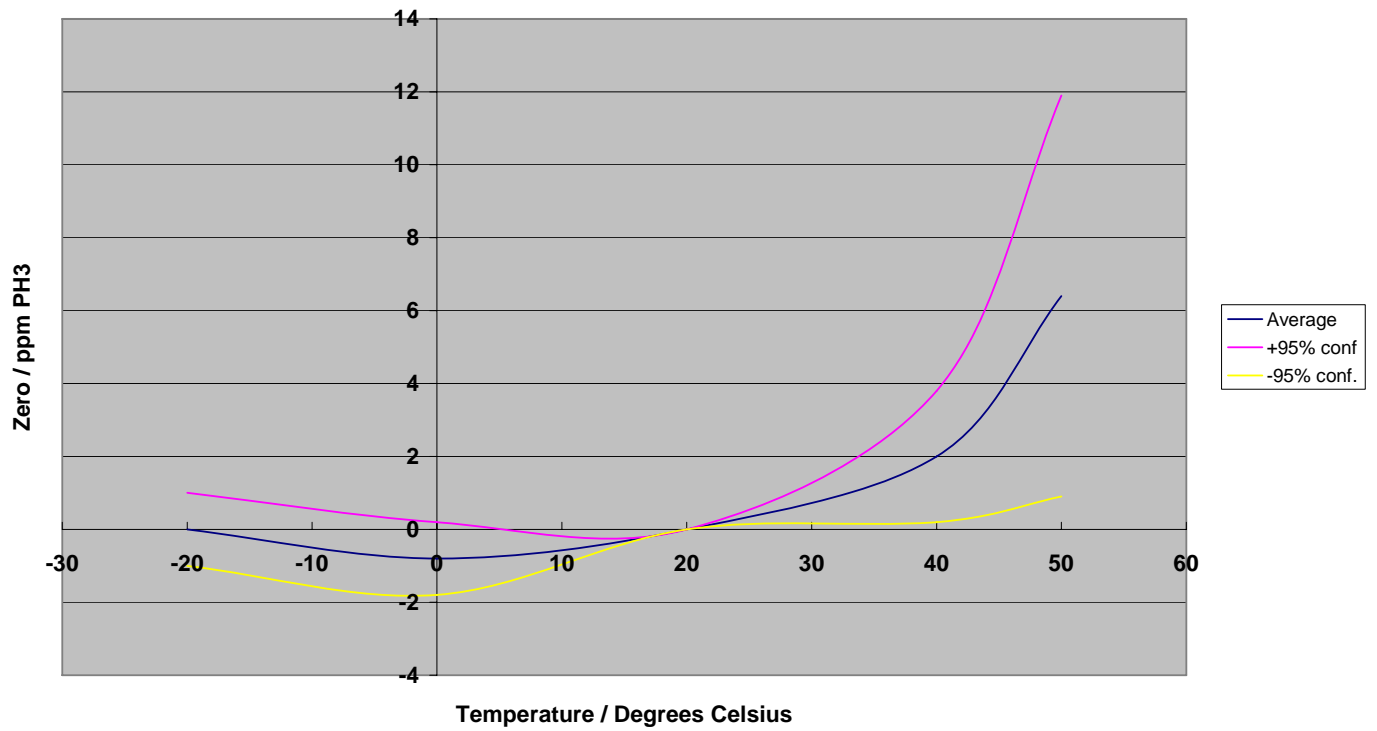


All dimensions in mm.
 All tolerances ±0.15mm unless otherwise stated.

Whilst e2v technologies has taken care to ensure the accuracy of the information contained herein it accepts no responsibility for the consequences of any use thereof and also reserves the right to change the specification of goods without notice. e2v technologies accepts no liability beyond the set out in its standard conditions of sale in respect of infringement of third party patents arising from the use of tubes or other devices in accordance with information contained herein.

TEMPERATURE DEPENDENCE

EC4-1000-PH3 Graph of Zero vs Temperature



EC4-1000-PH3 Graph of Sensitivity vs Temperature

