

PERFORMANCE

Range	0 - 20 ppm
Maximum overload.....	100 ppm PH3
Sensitivity.....	800 - 2000 nA/ppm PH3
Zero in air at 20 °C.....	<±0.5 ppm PH3
Resolution.....	0.1 ppm PH3
Linearity	linear across range
Response time, t90	<60 s
Long-term output drift.....	<2% signal/month
Warranty	2 years

OPERATING CONDITIONS

Temperature range	-20 to +50 °C
Operating humidity.....	15 - 90% RH (non-condensing)
Pressure range	90 - 110 kPa (nominal)
Operating circuit.....	see Electrochemical Toxic Sensor Application Note
Applied potential	0 V
Storage life.....	6 months in original packaging (0 - 25 °C)

PHYSICAL CHARACTERISTICS

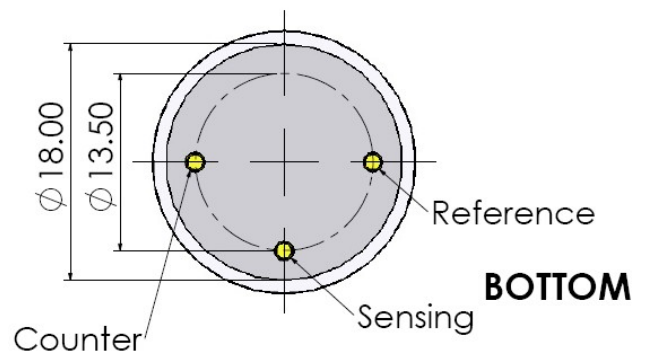
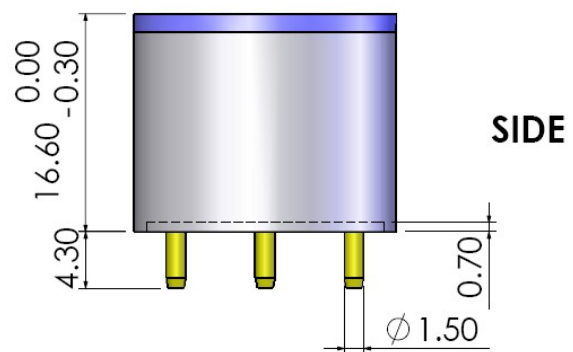
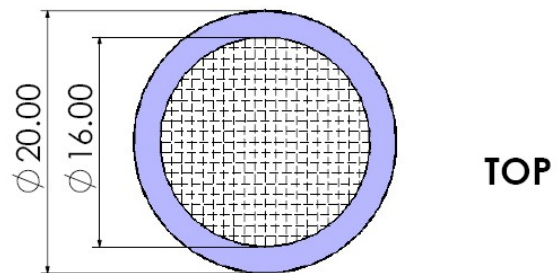
Label colour	silver
Weight.....	5 g approx.
Dimensions	see outline

This device is designed to be RoHS compliant.

CROSS-SENSITIVITY DATA

GAS	Concentration (ppm)	Sensor Response (As ppm PH3)
Hydrogen Sulfide	15	0
Sulfur Dioxide	5	<0.9
Carbon Monoxide	1000	0
Ammonia	50	0
Hydrogen	1000	0
Ethene	100	0

OUTLINE



All dimensions in mm.
All tolerances ±0.15mm unless otherwise stated.

Whilst e2v technologies has taken care to ensure the accuracy of the information contained herein it accepts no responsibility for the consequences of any use thereof and also reserves the right to change the specification of goods without notice. e2v technologies accepts no liability beyond the set out in its standard conditions of sale in respect of infringement of third party patents arising from the use of tubes or other devices in accordance with information contained herein.

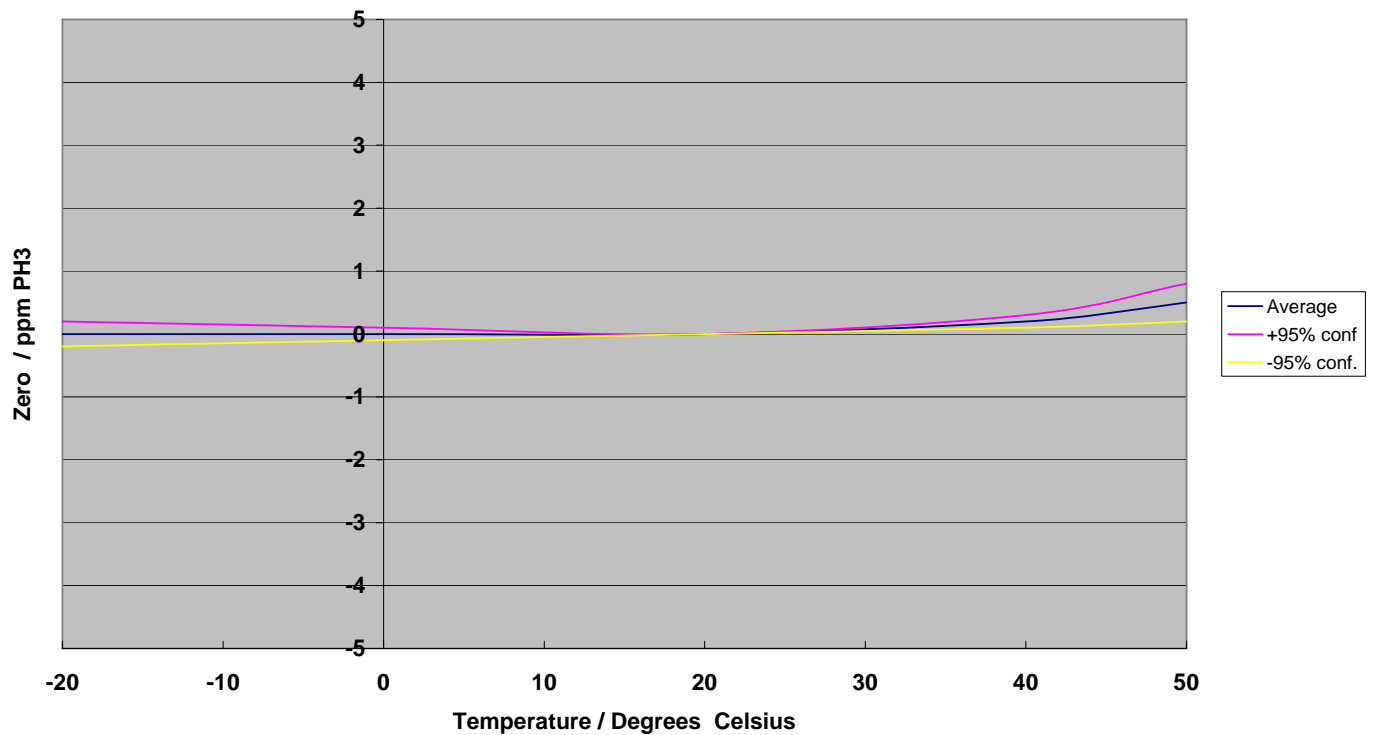
e2v technologies (uk) limited, Waterhouse Lane, Chelmsford, Essex CM1 2QU United Kingdom Telephone: +44 (0)1245 493493 Facsimile: +44 (0)1245 492492

e-mail: enquiries@e2v.com Internet: www.e2v.com Holding Company: e2v technologies plc

e2v technologies inc. 4 Westchester Plaza, PO Box 1482, Elmsford, NY10523-1482 USA Telephone: (914) 592-6050 Facsimile: (914) 592-5148 e-mail: enquiries@e2vtechnologies.us

TEMPERATURE DEPENDENCE

EC4-20-PH3 Graph of Zero vs Temperature



EC4-20-PH3 Graph of Sensitivity vs Temperature

